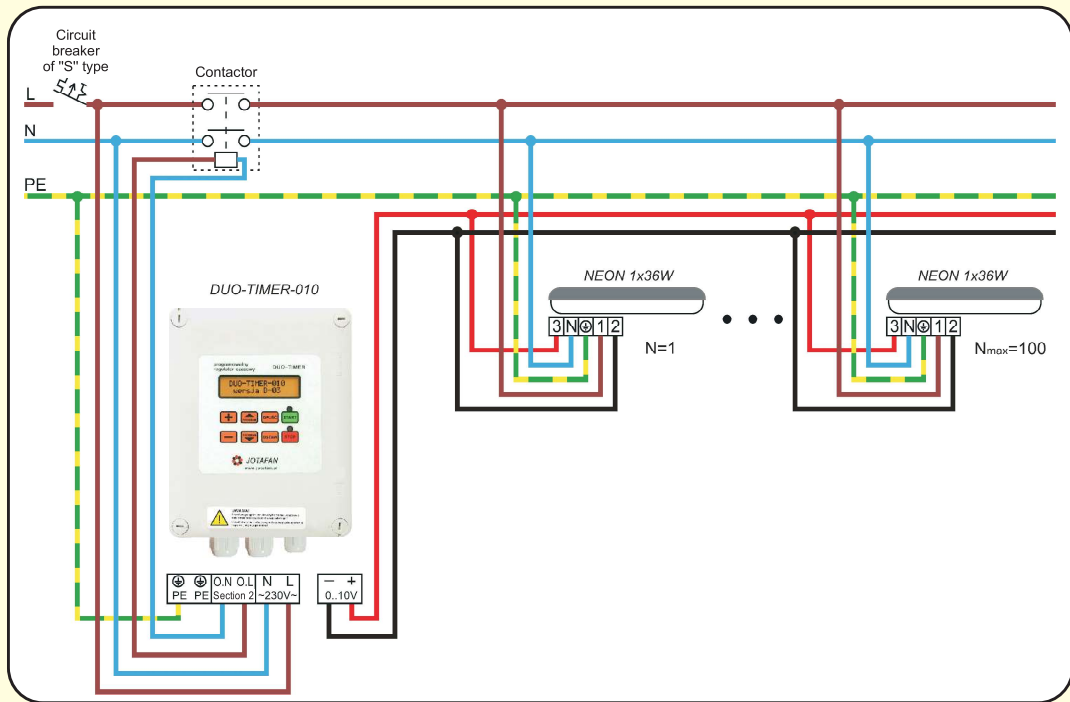


The block diagram of the illumination system with fluorescent lamp fittings and DUO-TIMER-010 regulator



Manual Illumination Regulators

REGAN 6-BW-D

Power knob on the front panel

Adjustment of one of eight minimum control values

The control can be switched off electronically

Control lamp indicating the status of the regulator

Light intensity regulation of lamps equipped with bulbs or dimmable compact fluorescent lamps

MIREF-6

The phase control of resistance or inductive receivers (bulbs, dimmable fluorescent lamps, fans)

Smooth control by means of 4 button keyboard

Program calibration of the control range

The possibility of setting a 'forbidden range'

